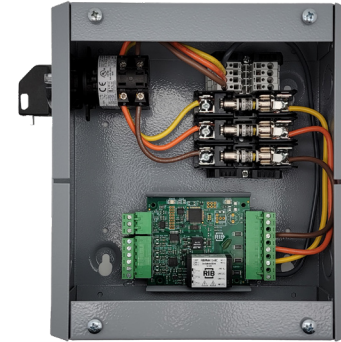
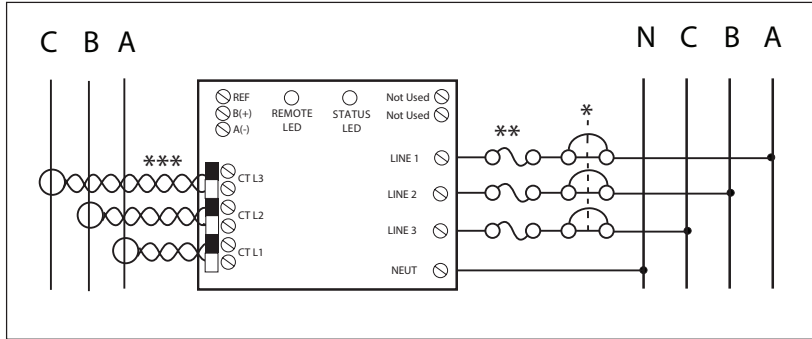


POWER METER KIT - BACNET® COMPATIBLE

RIBPM413-BC-KIT

PPower Meter Kit, 120-277 Vac, 3-Phase, Disconnect Switch, Fuses and Fuse Holder



SPECIFICATIONS

Power Meter - RIBPM413-BC:

- *Power Input Rating:** 120-277 Vac, Powered from Line 1 to Neutral, < 2 VA
- Headers:** Pluggable screw terminals, accept 12 to 28 AWG wire
- Dimensions:** 2.75" H x 4.5" W x 0.85" D with headers installed
- Origin:** Made of US and non-US parts
- Frequency:** 50/60 Hz
- Operating Temperature:** -20 to 70°C, -4 to 158°F
- Humidity:** 5 to 95% (noncondensing)
- Altitude:** Up to 2,000 m
- Remote LED:** Green = Rx
Amber = Tx
- Status LED:** See Bulletin B2646
- Terminal Torque:** 4.43 in-lbs
- Approvals:** CE, UL Listed, UL 61010-1 and UL 61010-2-30, C-UL, RoHS, FCC Part 15 Class B
- Network Media:** 18-22 AWG, 2-Core, shielded twisted pair
- Network Termination:** For End of Line (EOL) device, use 120 Ω Resistor.
See Bulletin B2646 for details
- Polarity:** Network is polarity sensitive
- Baud Rate:** 9600, 19200, 38400, 57600, 76800, 115200; Set via BACnet®

Fuse Holder:

- Type:** Class CC
- Rated Current:** 30 Amps
- Rated Voltage:** 600 Vac
- Interrupt Rating:** 200kA
- Max Ambient Temp:** 125°C, 257°F
- Wire Gauge:** 10-14 AWG
- Terminal Torque:** 20 in-lbs
- Approvals:** UL Listed, CSA Certified, RoHS, CE

Disconnect Switch*:

- Rated Current:** 16 Amps
- Rated Voltage:** 600 Vac
- Interrupt Rating:** 10kA
- Ambient Temperature:** -25 to 50°C, -13 to 122°F
- Wire Gauge:** 10-14 AWG
- Mechanical Life:** 1 million cycles
- Terminal Torque:** 7 in-lbs
- Approvals:** UL508, IEC 60947-3, EN 60947-3 and CSA 22.2, CE, RoHS

Enclosure:

- Construction:** 18 Gauge Steel
- Cover Type:** Screw Down Cover
- Dimensions:** 8.3" H x 7.7" W (9.2" W with switch) x 3.9" D
- Rating:** NEMA 1
- Approvals:** UL Listed, CE, RoHS

Fuses**:

- Type:** Class CC, Fast-acting
- Rated Current:** 2 Amps
- Rated Voltage:** 600 Vac
- Interrupt Rating:** 200kA
- Approvals:** CSA Certified, CE, RoHS

Metered Circuit:

- Voltage Range:** 120 - 277 Vac L-N (CAT III); 1P 2/3W, 3P 4W
- Voltage Overload:** 1.1 x Voltage Range
- Voltage Burden:** < 0.1 VA @ 277 Vac
- Frequency Range:** 45 - 65 Hz
- Current Transformer:** 333 mV Output (sold separately)
- Current Overload:** 1.2 x CT Output
- Power Overload:** 1.2 x Voltage Range x CT Output

Measurement Accuracy:

- Voltage:** 0.5%, < 0.2% typical from 80-120%
- Current:** 0.5%, < 0.2% typical from 10-120%
- Power:** 0.5%, < 0.2% typical from 10-120%
- Power Factor:** 0.5% between 0.5 and 1.0

BACnet® Details:

- Device ID Default: 277050
- MAC Address Default: 50
- Baud Rate Default: 38400
- **CT-Ratings (AV-8005) must be updated with the current rating of the CTs used with the device.**
- See Bulletin B2646 for further details
- PIC Statement available on website.
https://www.functionaldevices.com/downloads/pics/BACnet-PM413_PICS.pdf

Notes:

- See Bulletin B2818 for installation instructions
- Bi-directional for NET metering
- **For compatible Current Transformers, see our CT Series*****
- *** Neutral connection required for Input Power**